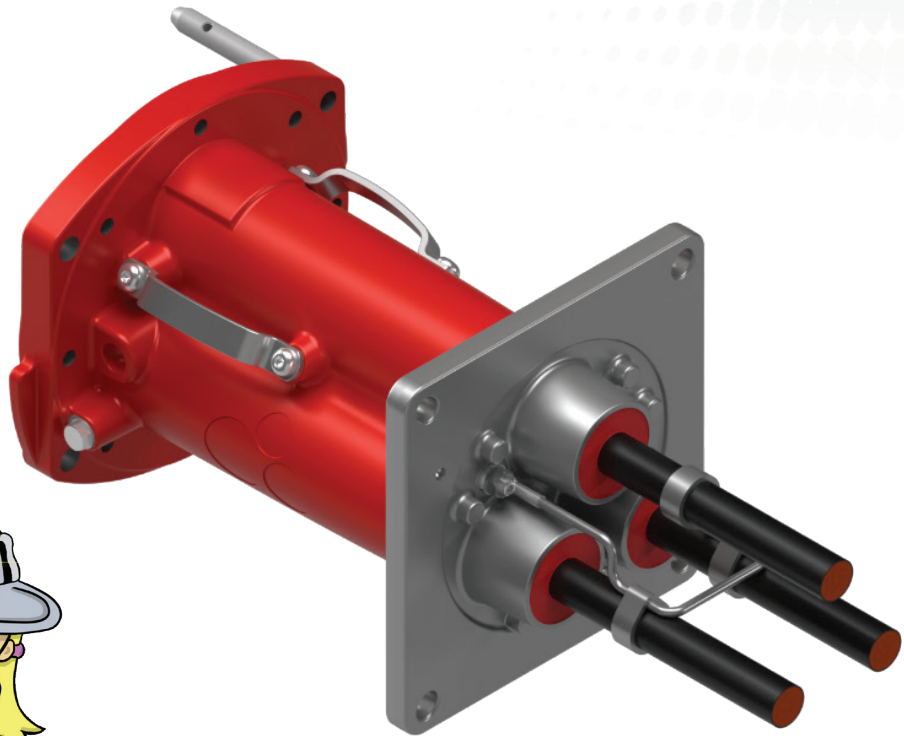




FIT & GO 11kV 800A ADAPTOR

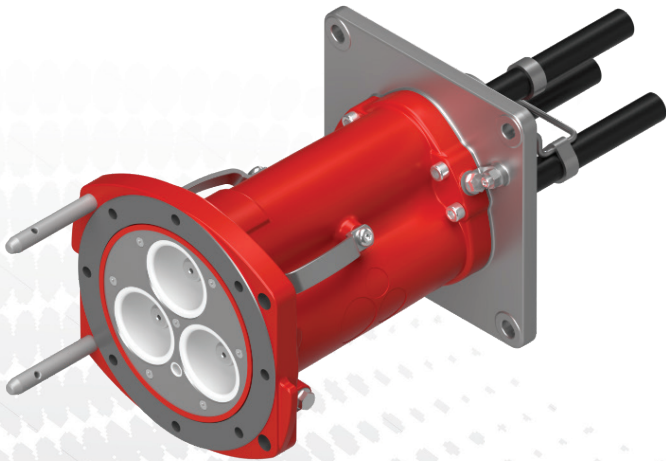


Exclusive from KableX

Designed and manufactured
by AusProof

For tunnelling and
hard rock mines

Experience the neXt generation





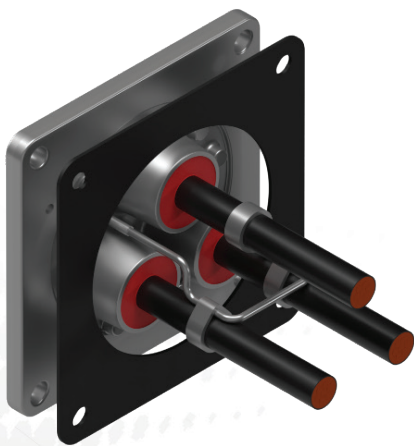
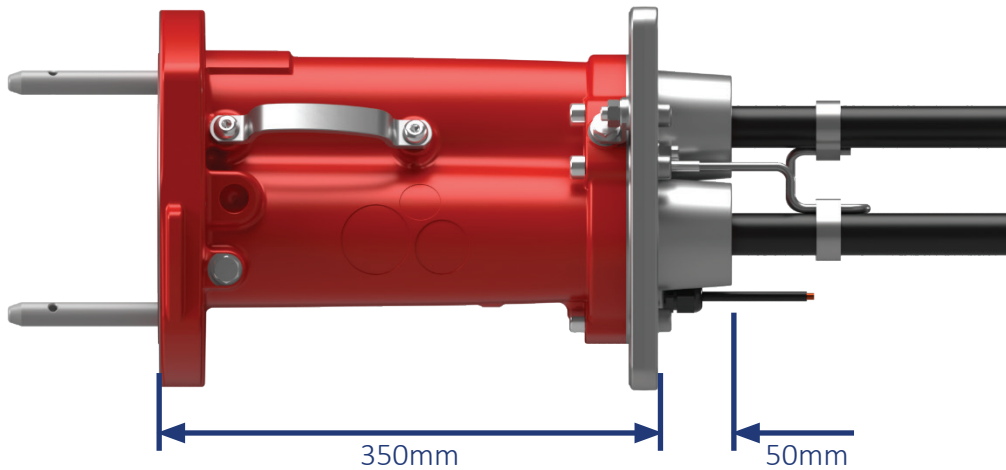
KABLEX

Volts: 11000 | Amps: 800 | Weight: 28kg

Fully Sealed | Material: Aluminium | 1500mm long

Minimal 50mm intrusion into enclosure.

Preterminated with 120²/240² 12.7/22kV Tails.



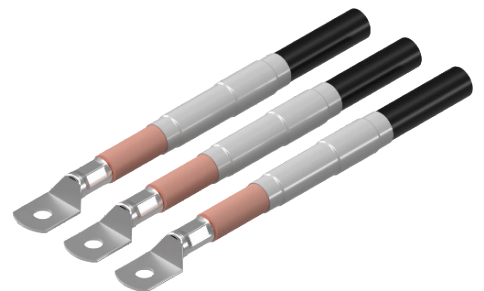
COMES WITH:

Tail semi-cons earthed and
1 rubber gasket



Did You
Know...

We can supply tails terminated and
lugged as a complete solution.



Experience the neXt generation